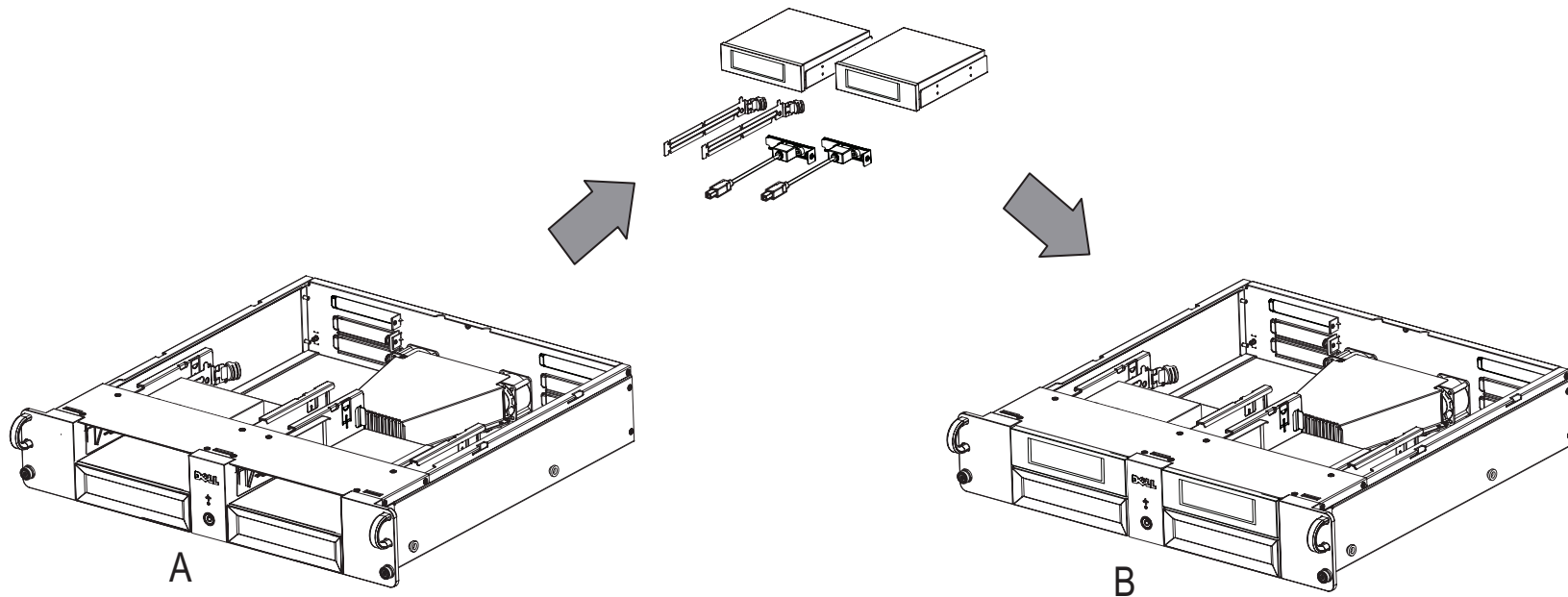
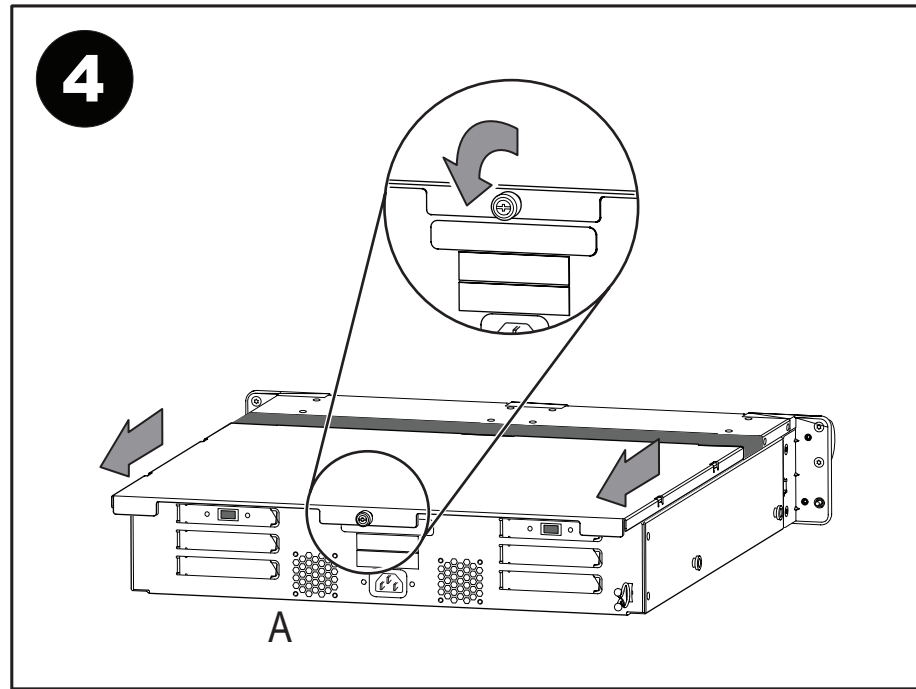
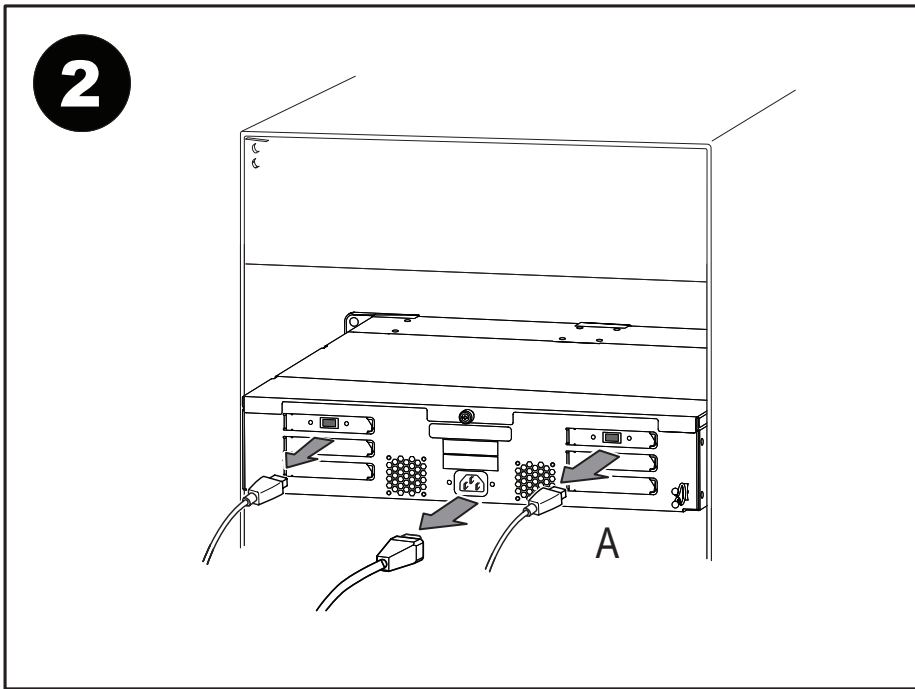
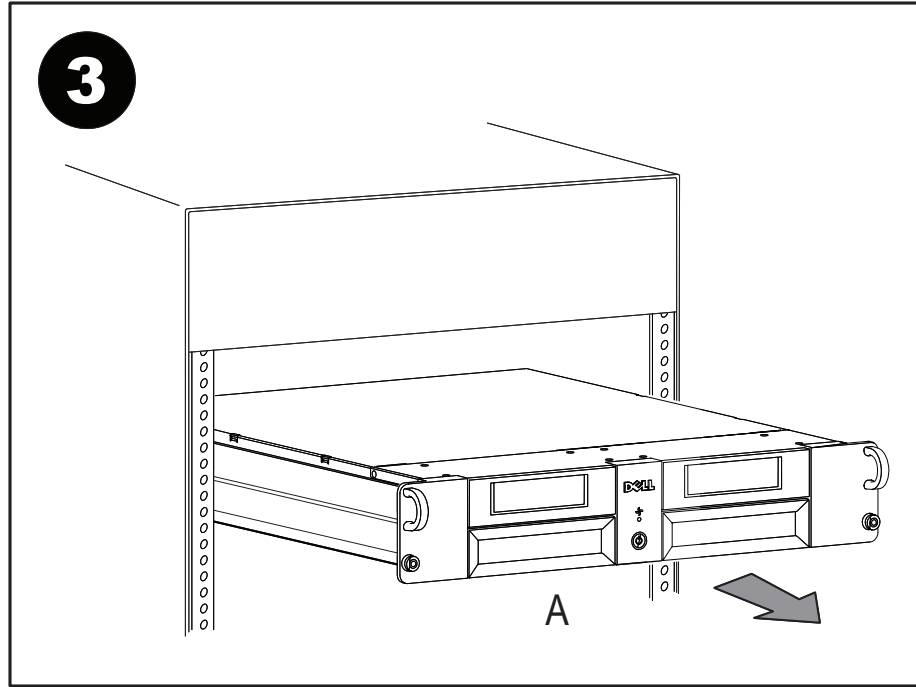
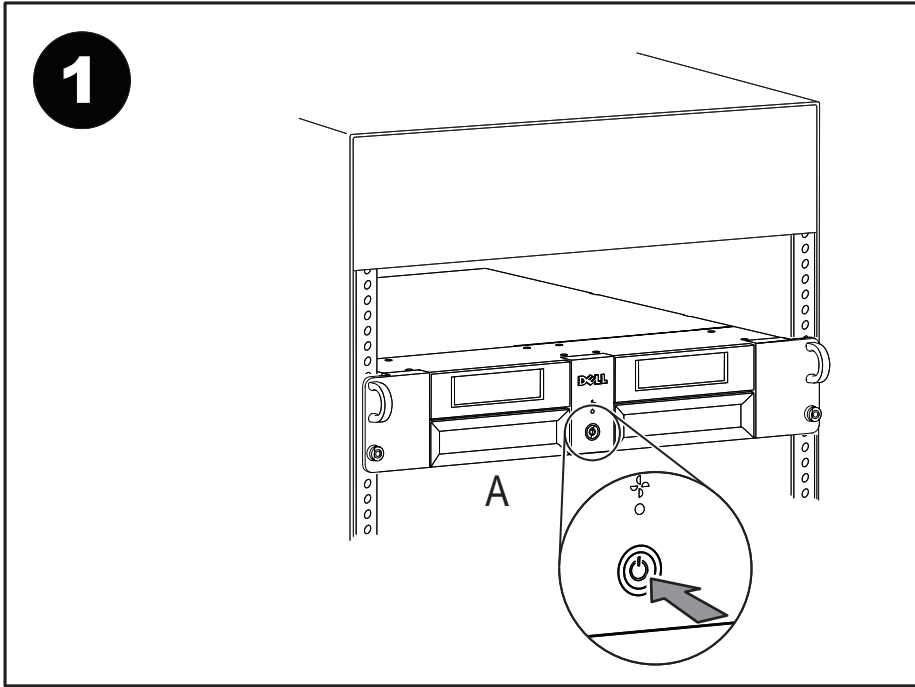


DELL™ PowerVault™ 114X



©2010 Dell Inc.
Printed in Singapore.



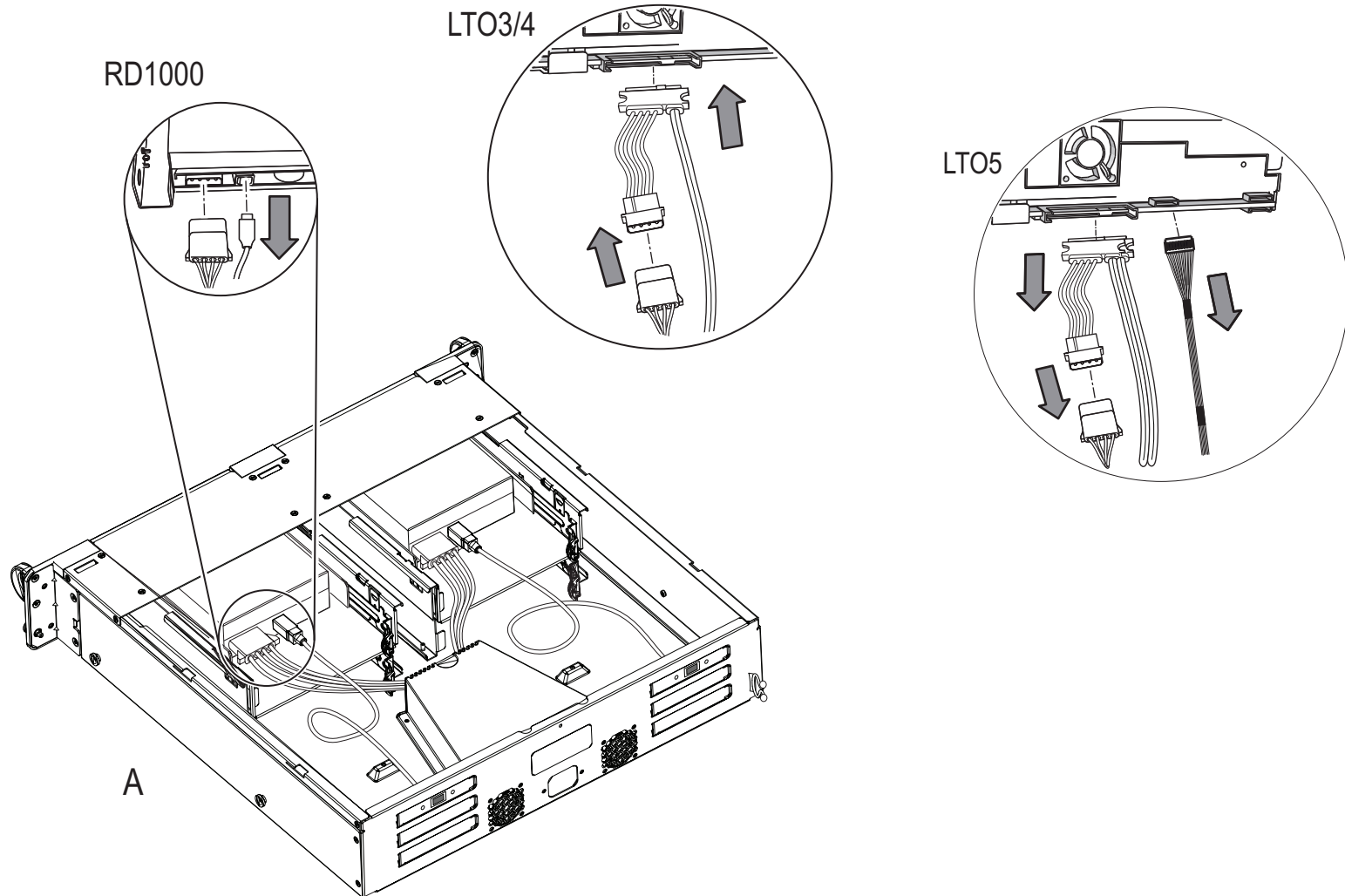


5

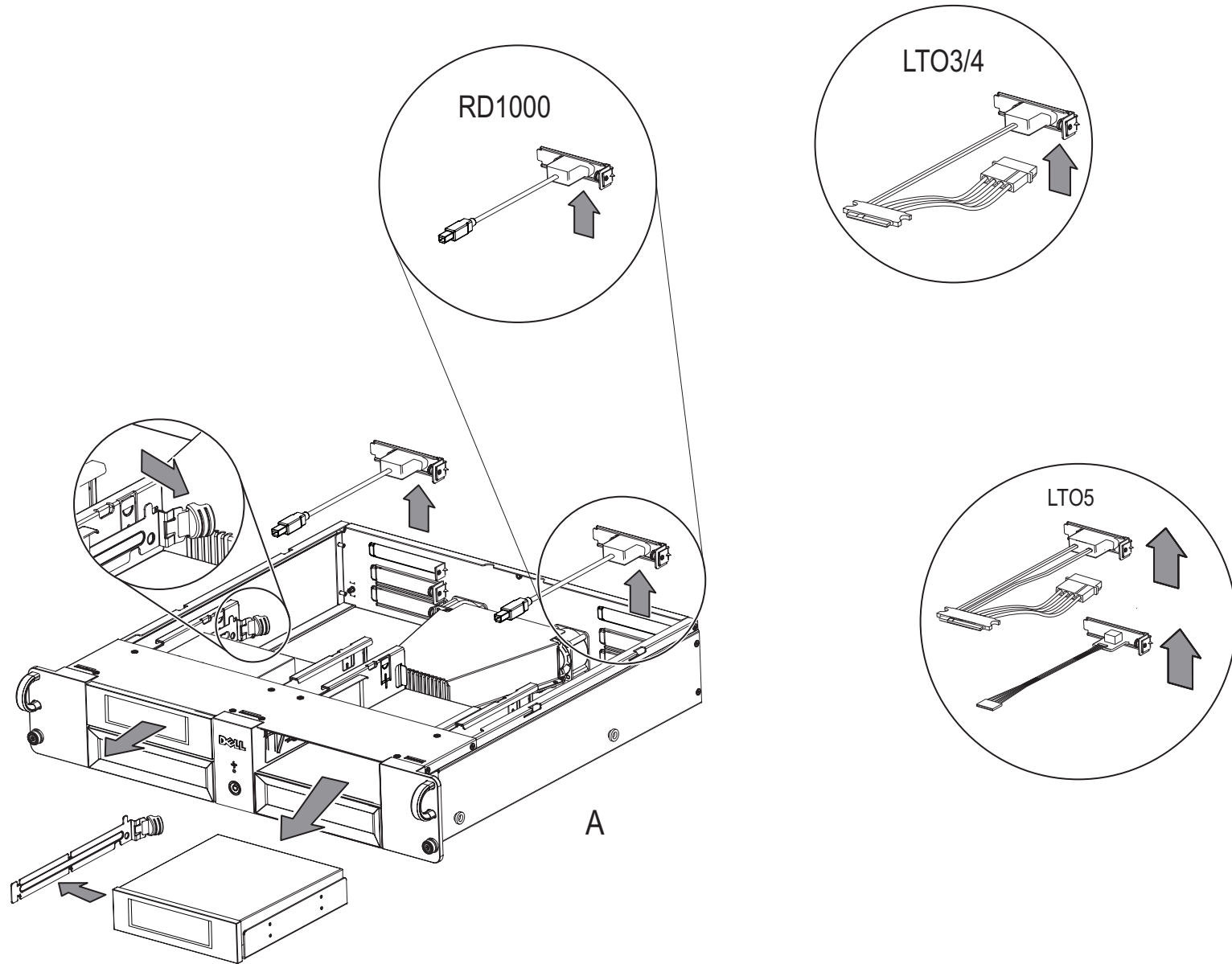
RD1000

LTO3/4

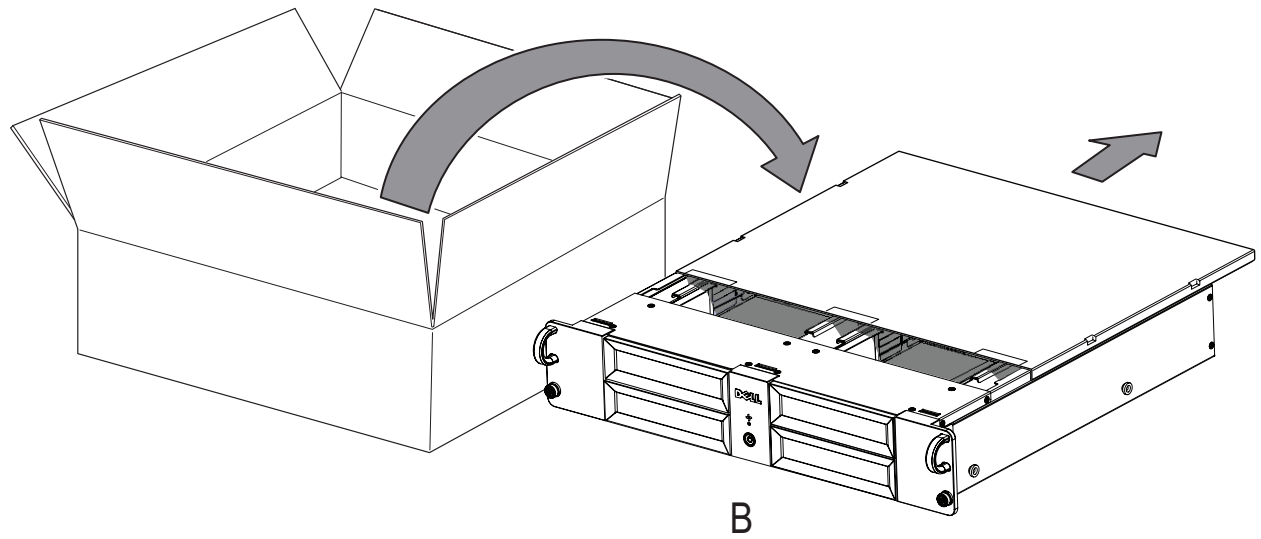
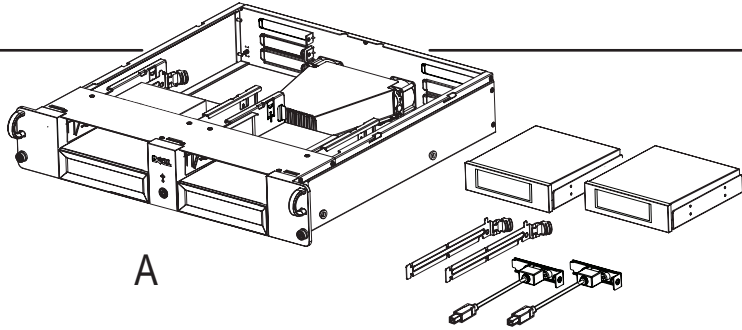
LTO5



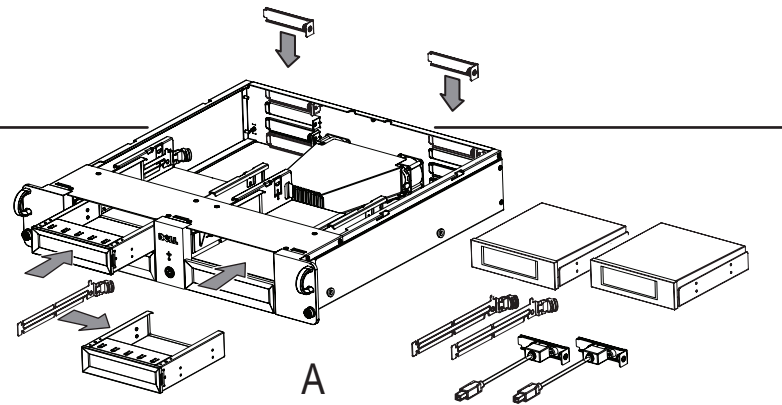
6



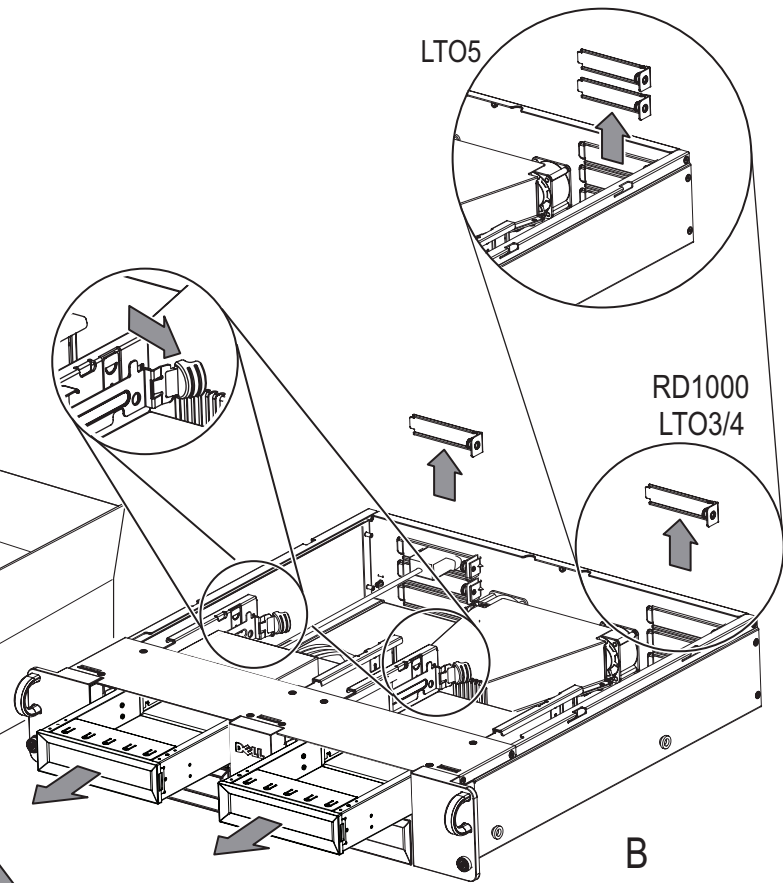
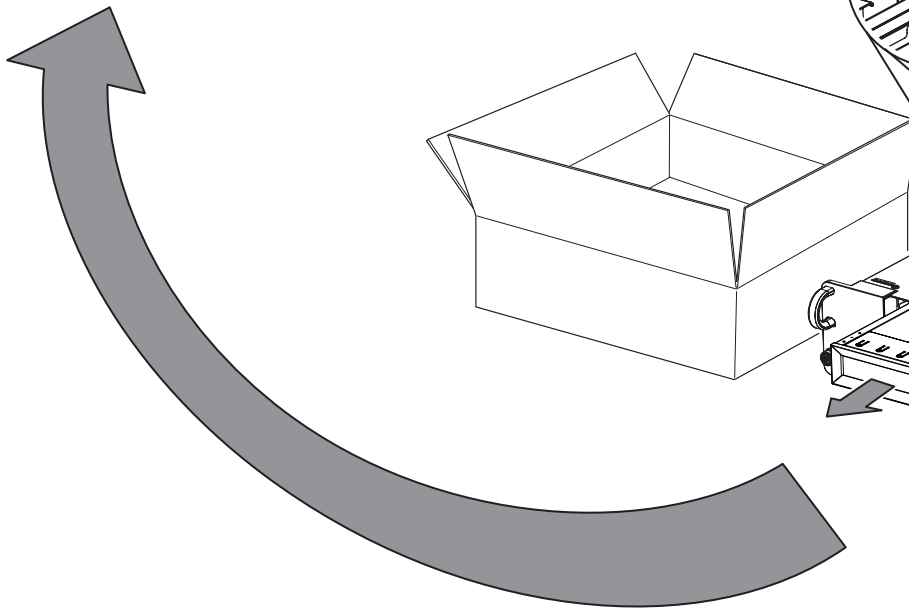
7



8



A

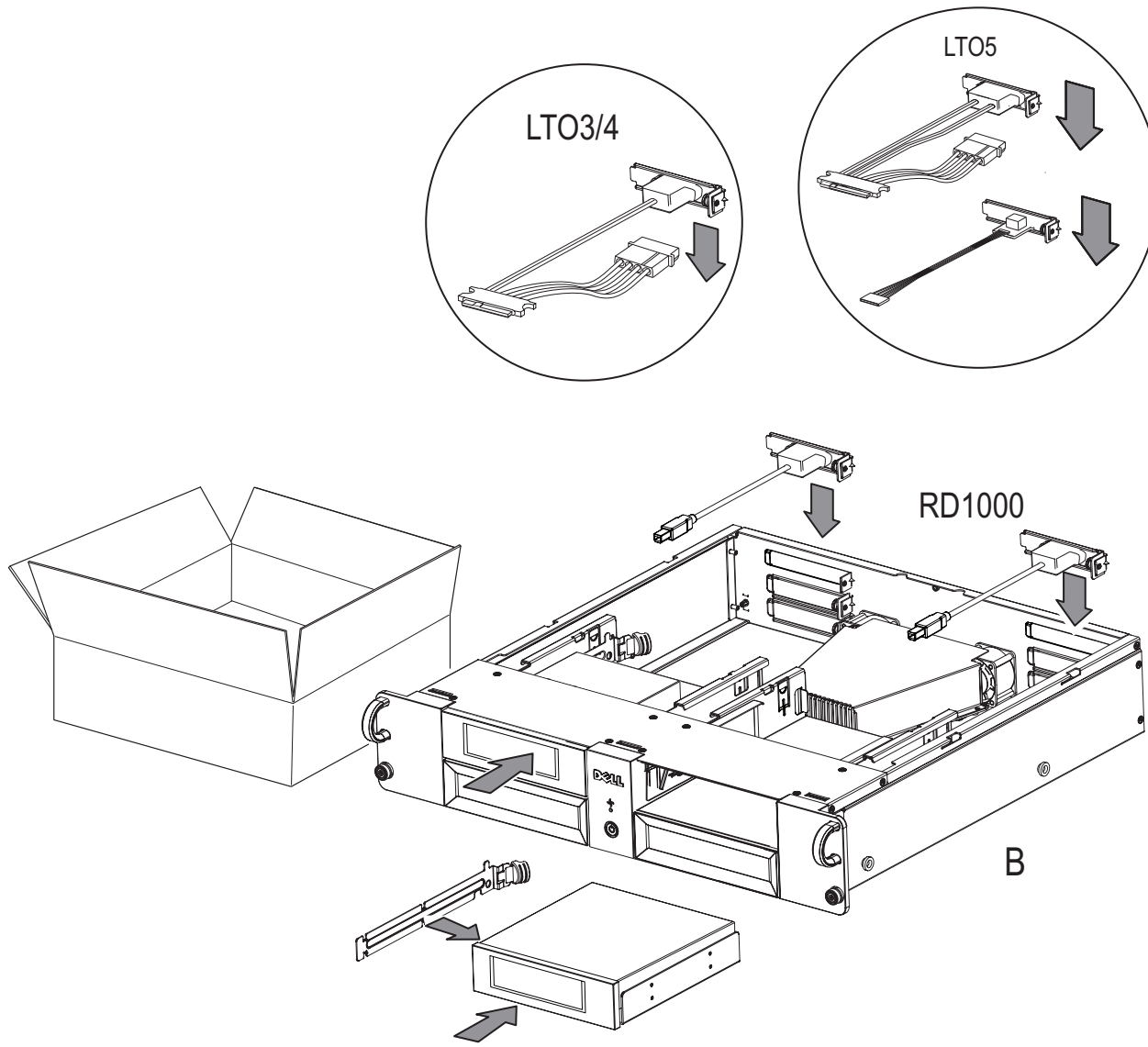


LTO5

RD1000
LTO3/4

B

9

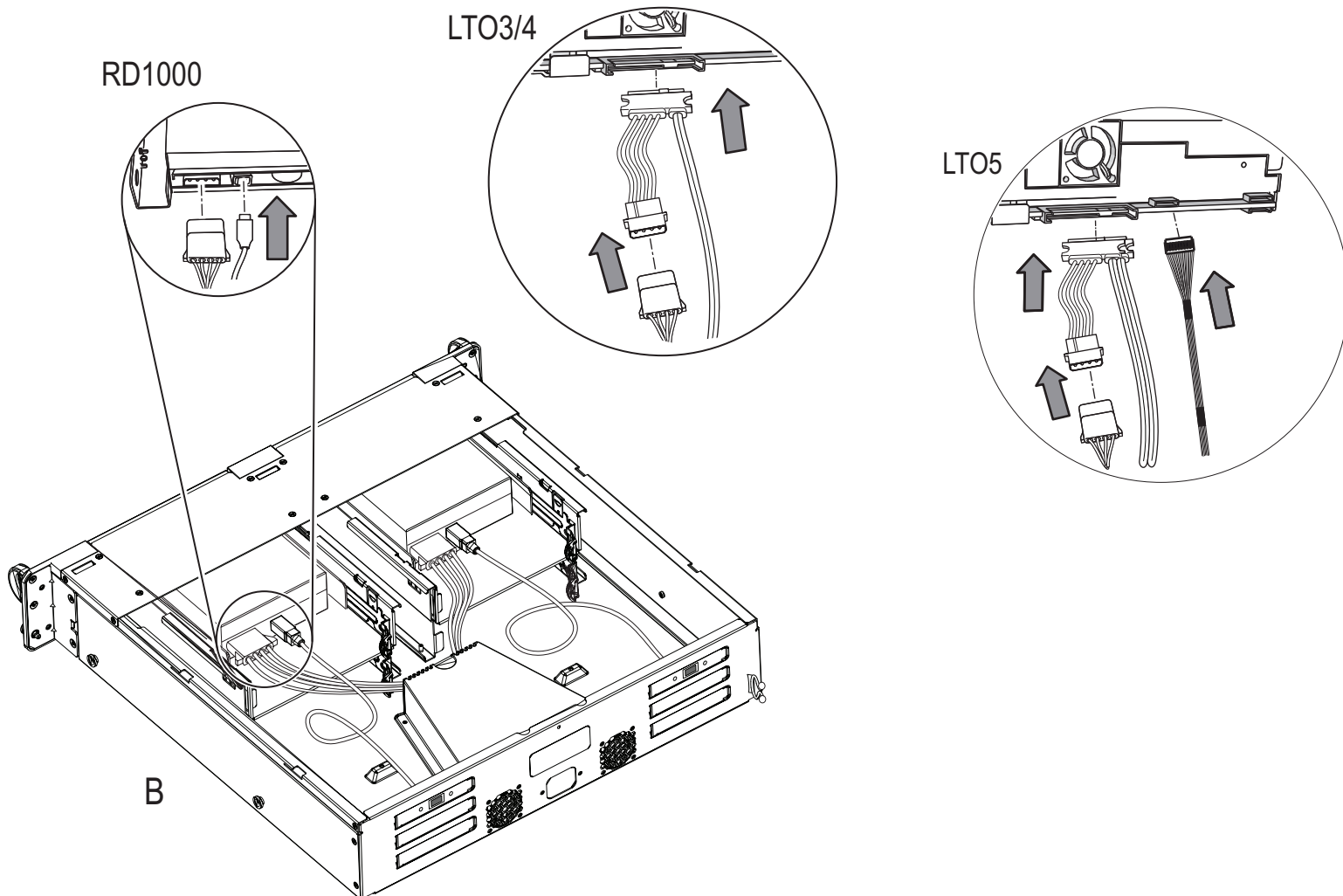


10

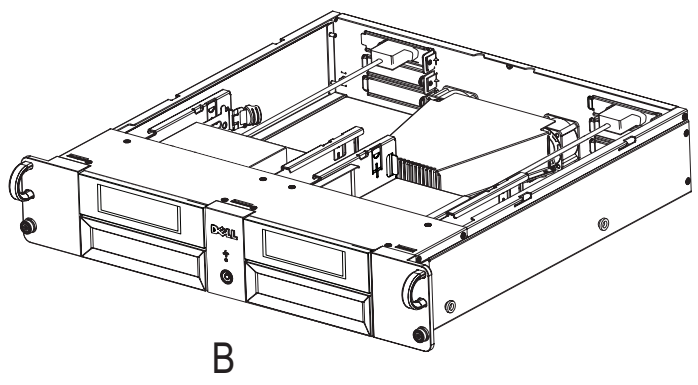
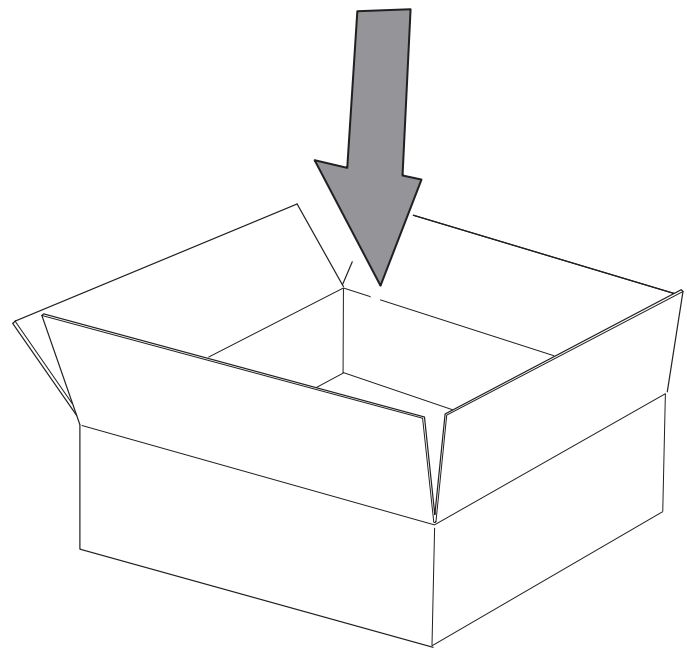
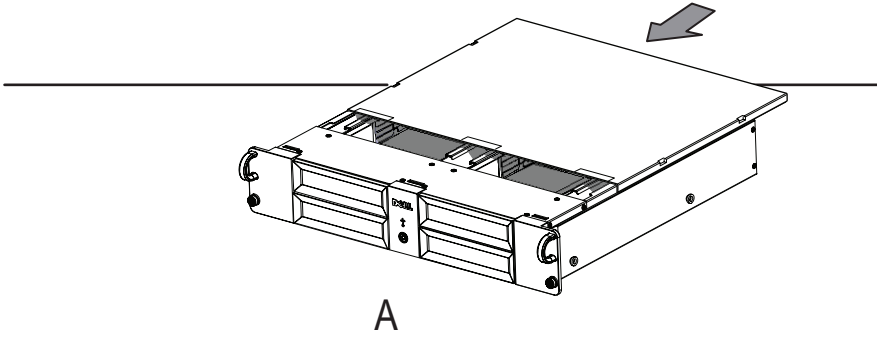
RD1000

LTO3/4

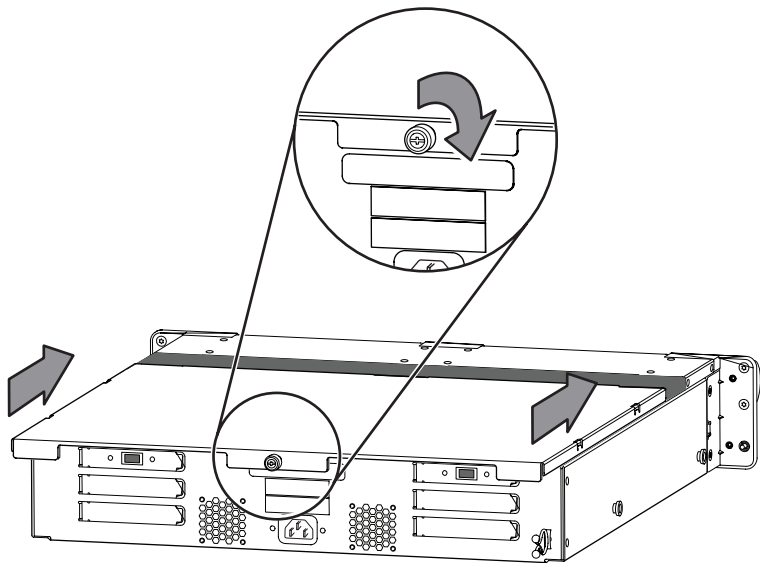
LTO5



11

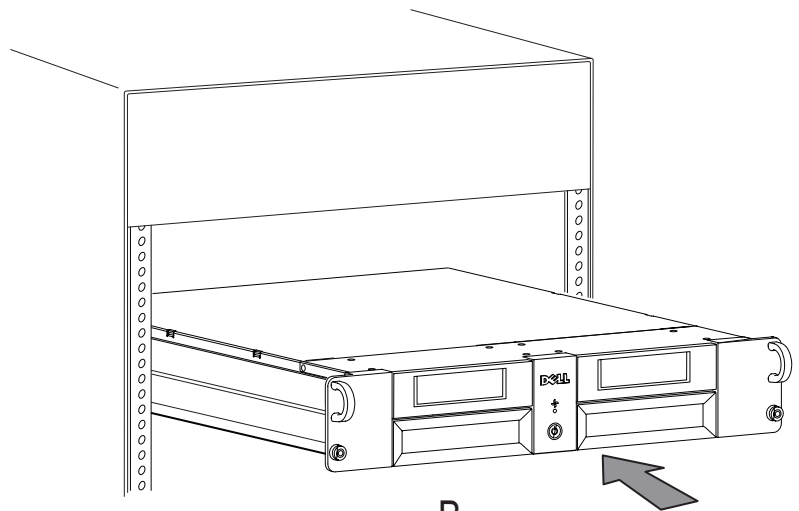


12



B

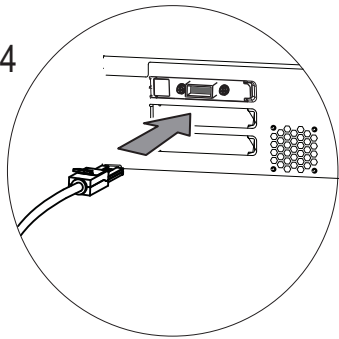
13



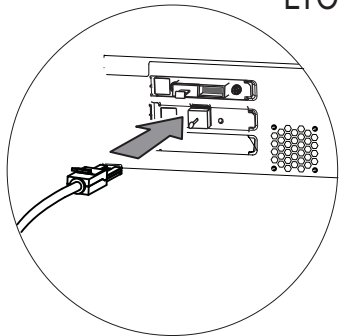
B

14

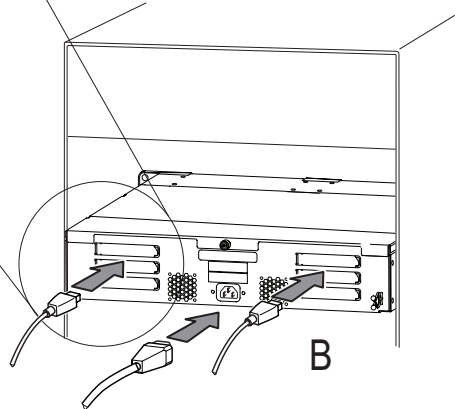
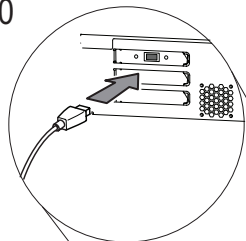
LTO3/4



LTO5

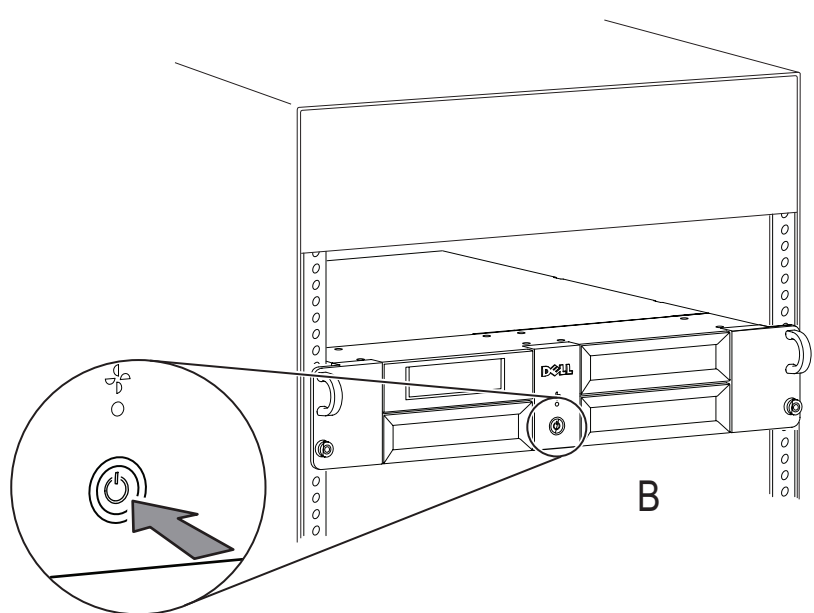


RD1000



B

15



B